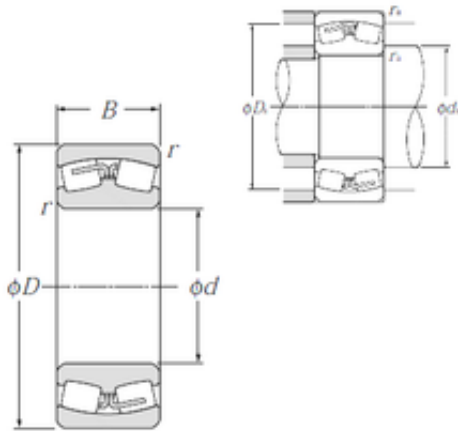




190 mm x 290 mm x 100 mm NTN 24038B  
Spherical Roller Bearings



Bearing No. 24038B

24038B Bearing 2D drawings and 3D CAD models

Size	190x290x100 mm
Bore Diameter	190 mm
Outer Diameter	290 mm
Width	100 mm
d	190 mm
D	290 mm
B	100 mm
C	100 mm
r min.	2,1 mm
da min.	202 mm
Da max.	278 mm
ra max.	2 mm
Weight	24,3 Kg
Basic dynamic load rating (C)	995 kN
Basic static load rating (C0)	1 850 kN
(Grease) Lubrication Speed	1 100 r/min
(Oil) Lubrication Speed	1 400 r/min
Calculation factor (e)	0,33
Calculation factor (Y0)	1,98
Calculation factor (Y1)	2,03