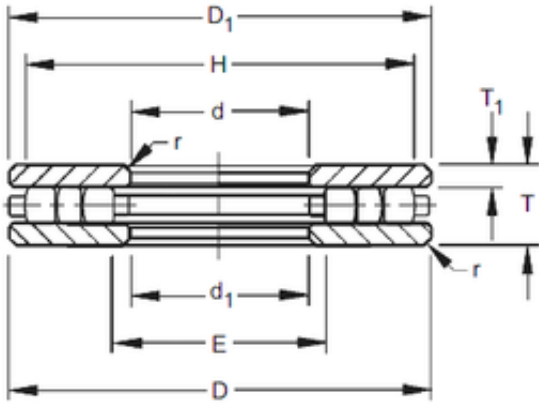




Timken 50TP120 Thrust Cylindrical Roller Bearing

Bearing No. 50TP120



50TP120 Bearing 2D drawings and 3D CAD models

Size	127x228.6x44.45 mm
Bore Diameter	127 mm
Outer Diameter	228,6 mm
Width	44,45 mm
d	127 mm
D	228,6 mm
T	44,45 mm
r max	1,6 mm
T1	12,7 mm
d1	128,59 mm
D1	227,01 mm
E	139,7 mm
H	215,9 mm