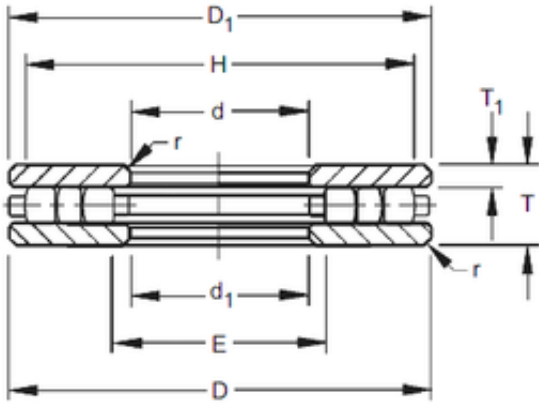




Timken 50TP121 Thrust Cylindrical Roller Bearing

Bearing No. 50TP121



50TP121 Bearing 2D drawings and 3D CAD models

Size	127x254x50.8 mm
Bore Diameter	127 mm
Outer Diameter	254 mm
Width	50,8 mm
d	127 mm
D	254 mm
T	50,8 mm
r max	3,2 mm
T1	14,29 mm
d1	128,59 mm
D1	252,41 mm
E	141,3 mm
H	239,7 mm