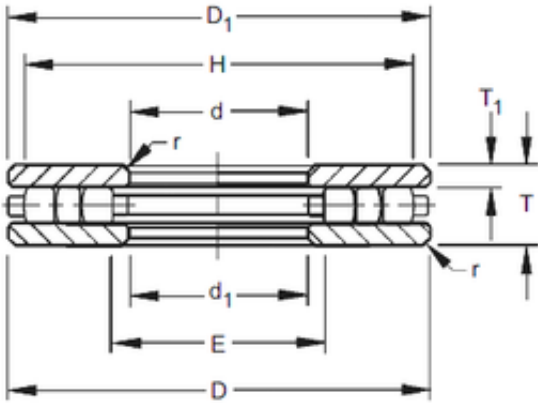




Timken 100TP145 Thrust Cylindrical Roller Bearing

Bearing No. 100TP145



100TP145 Bearing 2D drawings and 3D CAD models

Size	254x508x95.25 mm
Bore Diameter	254 mm
Outer Diameter	508 mm
Width	95,25 mm
d	254 mm
D	508 mm
T	95,25 mm
r max	6,4 mm
T1	26,19 mm
d1	256,38 mm
D1	505,62 mm
E	281 mm
H	481 mm