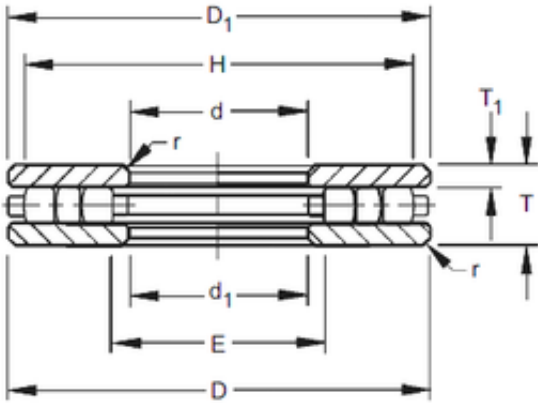




Timken 140TP158 Thrust Cylindrical Roller Bearing

Bearing No. 140TP158



140TP158 Bearing 2D drawings and 3D CAD models

Size	355.6x508x95.25 mm
Bore Diameter	355,6 mm
Outer Diameter	508 mm
Width	95,25 mm
d	355,6 mm
D	508 mm
T	95,25 mm
r max	6,4 mm
T1	26,19 mm
d1	358,78 mm
D1	504,82 mm
E	374,6 mm
H	489 mm