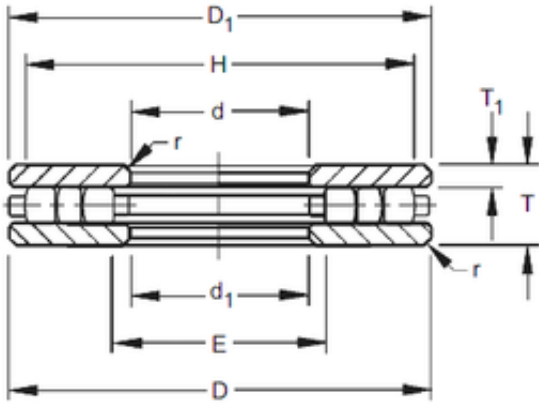




Timken 240TP178 Thrust Cylindrical Roller Bearing

Bearing No. 240TP178



240TP178 Bearing 2D drawings and 3D CAD models

Size	609.6x863.6x139.7 mm
Bore Diameter	609,6 mm
Outer Diameter	863,6 mm
Width	139,7 mm
d	609,6 mm
D	863,6 mm
T	139,7 mm
r max	9,5 mm
T1	38,1 mm
d1	612,8 mm
D1	860,4 mm
E	635 mm
H	838,2 mm