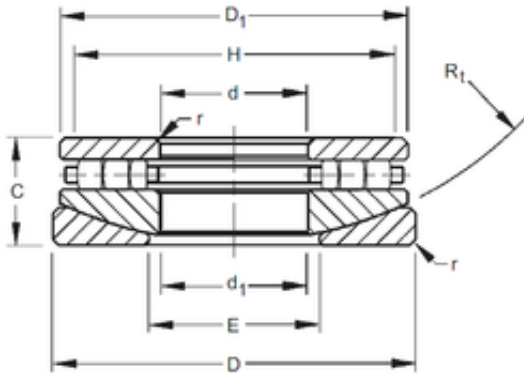




Timken 50TPS119 Thrust Cylindrical Roller Bearing



Bearing No. 50TPS119

Bore Diameter	127 mm
Outer Diameter	215,9 mm
d	127 mm
D	215,9 mm
r max	1,6 mm
d1	130,18 mm
C	58,738 mm
D1	201,61 mm
E	152,4 mm
H	190,5 mm
R	187,33 mm

50TPS119 Bearing 2D drawings and 3D CAD models