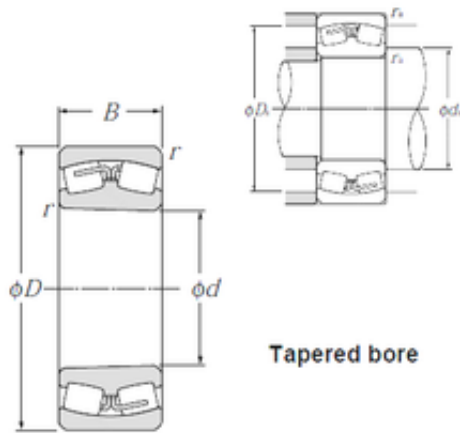




23296BK NTN Spherical Roller Bearings



Bearing No. 23296BK

23296BK Bearing 2D drawings and 3D CAD models

Size	480x870x310 mm
Bore Diameter	480 mm
Outer Diameter	870 mm
Width	310 mm
d	480 mm
D	870 mm
B	310 mm
C	310 mm
r min.	7,5 mm
da min.	516 mm
Da max.	834 mm
ra max.	6 mm
Weight	790 Kg
Basic dynamic load rating (C)	8 300 kN
Basic static load rating (C0)	15 500 kN
(Grease) Lubrication Speed	320 r/min
(Oil) Lubrication Speed	420 r/min
Calculation factor (e)	0,36
Calculation factor (Y0)	1,83
Calculation factor (Y1)	1,87